

Interal T.C.
INTERTRUSS
32/33/34

INTERTRUSS

INTERTRUSS 32 / 33 / 34

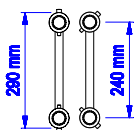
The Intertruss series have been specially designed for professional light and sound equipment, on exhibitions and in discotheques. The conical connection piece allows you to assemble your system in the shortest time, without tools. Intertruss produces a large scale of corners, arches, circles and special constructions based on the Intertruss series. The 32/33/34 series fall into the category of medium duty trusses, with a sizing that is the most widely used in the industry.

Intertruss produces a large range of corners, arches, and special constructions based on the Intertruss 32/33/34 series.

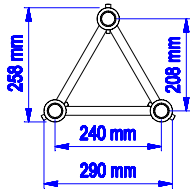
The conical connection piece allows you to assemble your system in the shortest of time.

TECHNICAL SPECIFICATIONS PROTRUSS

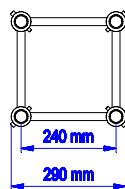
TYPE	32 = LADDER 33 = TRIANGLE 34 = SQUARE
ALLOY	EN-AW 6082 T6
TUBE	*FS Ø 50 X 2 MM *FS HD Ø 50 X 3 MM (ONLY FOR FS 34)
BRACE	*FS 32 / 33 / 34 Ø 20 X 2 MM
CONNECTION	ALU. CONNECTION PIECE WITH SPIGOT AND R-SPRING



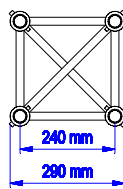
FS 32



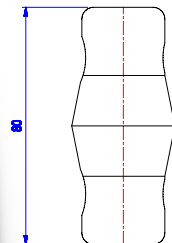
FS 33



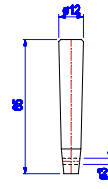
FS 34



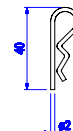
FS 34 HD



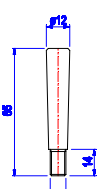
6021-002-001



6010-012-001



6010-013-001



6010-012-003



FS 32 \ FS 33 \ FS 34 \ FS 34 HD



CONNECTION PIECES

INTERTRUSS 32 / 33 / 34 SERIES

TUBE - Ø 50 X 2

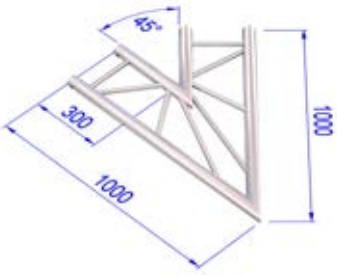
STANDARD LENGTHS (M)	0,29	0,50	0,71	1,00	1,50	2,00	2,50	3,00	3,50	4,00	4,50	5,00
FS 32 (KG)	0,87	1,50	2,13	3,00	4,50	6,00	7,50	9,00	10,50	12,00	13,50	15,00
FS 33 (KG)	1,31	2,25	3,20	4,50	6,75	9,00	11,25	13,50	15,75	18,00	20,25	22,50
FS 34 (KG)	1,74	3,00	4,26	6,00	9,00	12,00	15,00	18,00	21,00	24,00	27,00	30,00

INTERTRUSS 32 / 33 / 34 HD SERIES

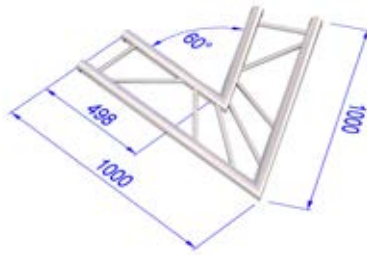
TUBE - Ø 50 X 3

STANDARD LENGTHS (M)	0,29	0,50	0,71	1,00	1,50	2,00	2,50	3,00	3,50	4,00	4,50	5,00
FS 32 HD (KG)	0,99	1,70	2,41	3,40	5,10	6,80	8,50	10,20	11,90	13,60	15,30	17,00
FS 33 HD (KG)	1,33	2,29	3,25	4,58	6,86	9,15	11,44	13,73	16,01	18,30	20,59	22,88
FS 34 HD (KG)	1,85	3,19	4,52	6,37	9,56	12,74	15,93	19,11	22,30	25,48	28,67	31,85

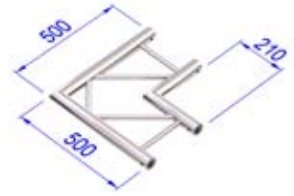
INTER32



FS32-001F 2 WAY CORNER 45°



FS32-002F 2 WAY CORNER 60°



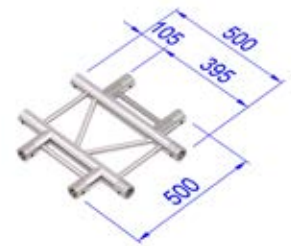
FS32-003F 2 WAY CORNER 90°



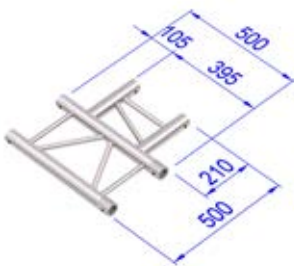
FS32-004F 2 WAY CORNER 120°



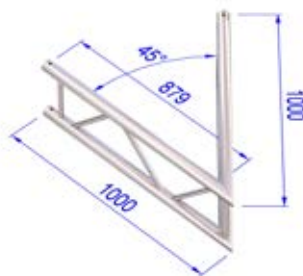
FS32-005F 2 WAY CORNER 135°



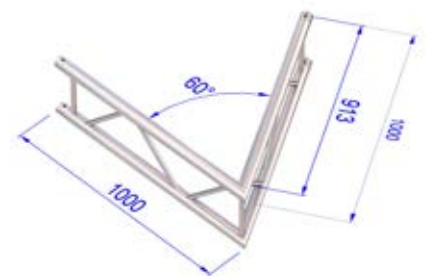
FS32-016F CROSS



FS32-017F T-JOINT



FS32-001UP 2 WAY CORNER 45°



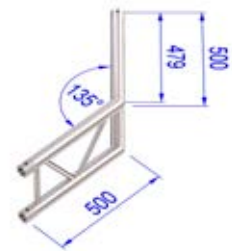
FS32-002UP 2 WAY CORNER 60°



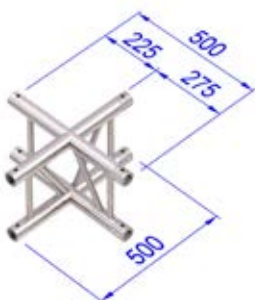
FS32-003UP 2 WAY CORNER 90°



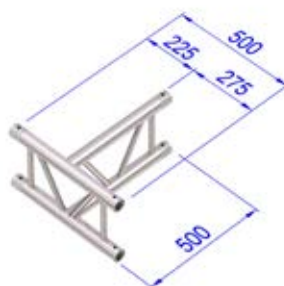
FS32-004UP 2 WAY CORNER 120°



FS32-005UP 2 WAY CORNER 135°

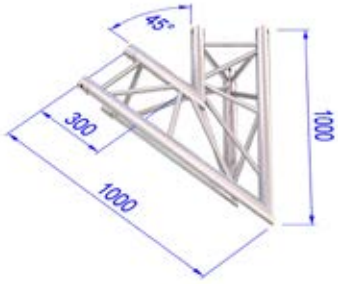


FS32-016UP CROSS

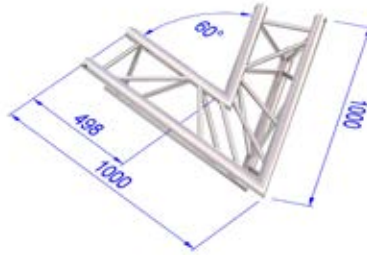


FS32-017UP T-JOINT

INTER33



FS33-001 2 WAY CORNER 45°



FS33-002 2 WAY CORNER 60°



FS33-003 2 WAY CORNER 90°



FS33-004 2 WAY CORNER 120°



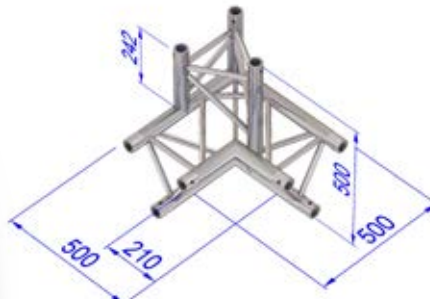
FS33-005 2 WAY CORNER 135°



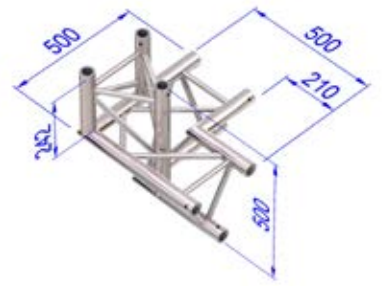
FS33-006 2 WAY CORNER 90° APEX UP



FS33-007 2 WAY CORNER 90° APEX DOWN



FS33-010 3 WAY CORNER 90°



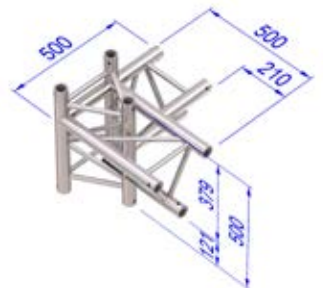
FS33-011 3 WAY CORNER 90°



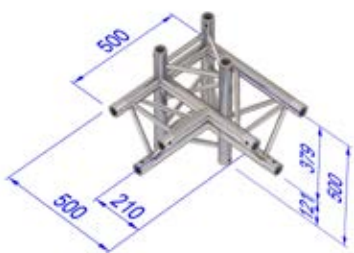
FS33-012 3 WAY CORNER 90°



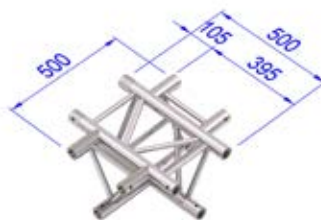
FS33-013 3 WAY CORNER 90°



FS33-014 4 WAY CORNER 90°



FS33-015 4 WAY CORNER 90°



FS33-016 CROSS

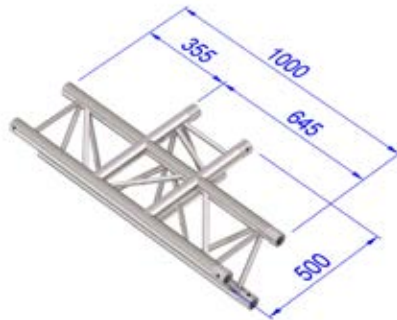


FS33-016EL CROSS

INTER33



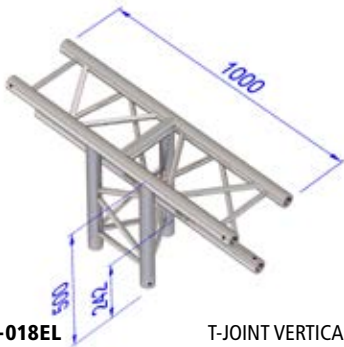
FS33-017 T-JOINT HORIZONTAL



FS33-017EL T-JOINT HORIZONTAL



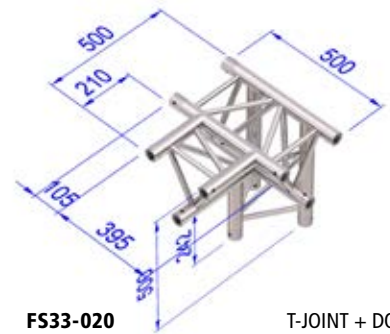
FS33-018 T-JOINT VERTICAL



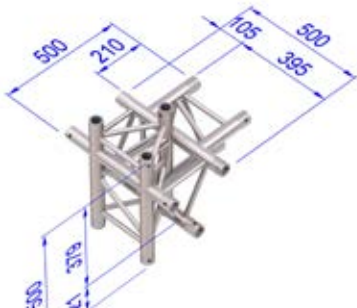
FS33-018EL T-JOINT VERTICAL



FS33-019 T-JOINT VERTICAL (BILLBOARD)



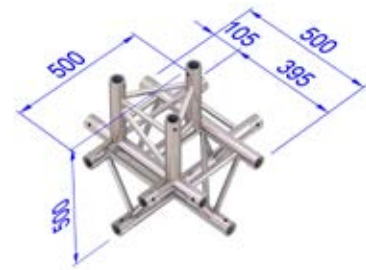
FS33-020 T-JOINT + DOWN



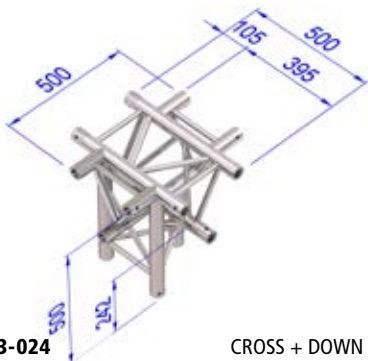
FS33-021 T-JOINT + UP + DOWN



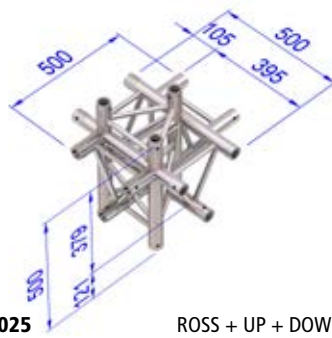
FS33-022 T-JOINT + UP



FS33-023 CROSS + UP

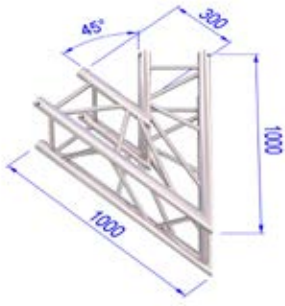


FS33-024 CROSS + DOWN

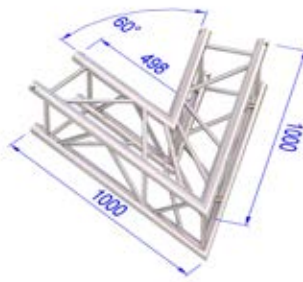


FS33-025 CROSS + UP + DOWN

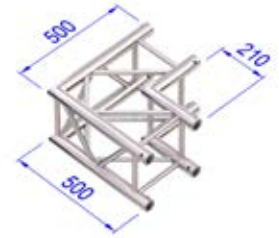
INTER34



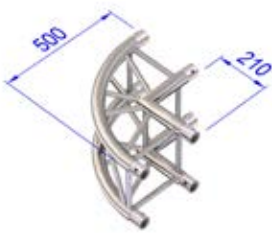
FS34-001 2 WAY CORNER 45°



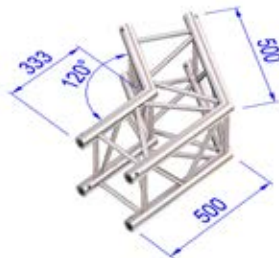
FS34-002 2 WAY CORNER 60°



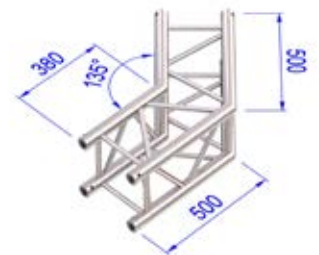
FS34-003 2 WAY CORNER 90°



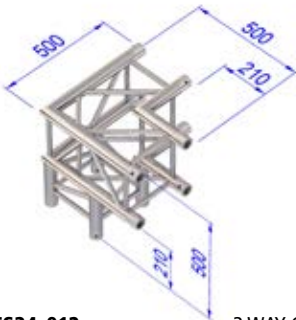
FS34-003-C 2 WAY CORNER 90° CIRCLE



FS34-004 2 WAY CORNER 120°



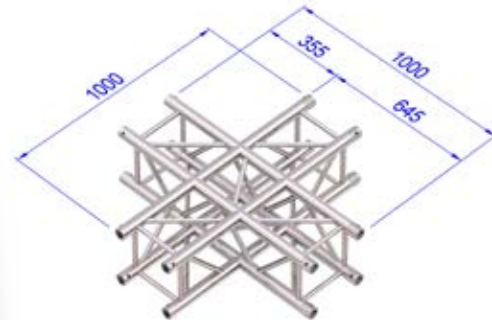
FS34-005 2 WAY CORNER 135°



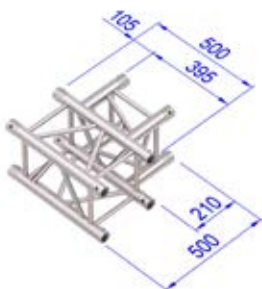
FS34-012 3 WAY CORNER 90°



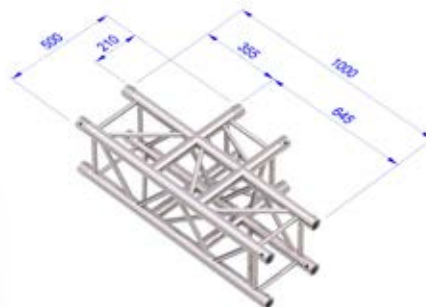
FS34-016 CROSS



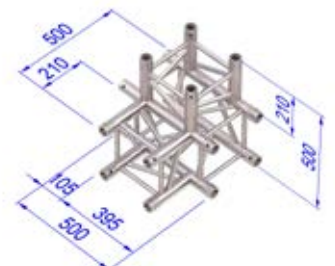
FS34-016EL CROSS



FS34-017 T-JOINT



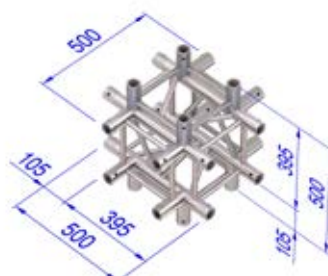
FS34-017EL T-JOINT



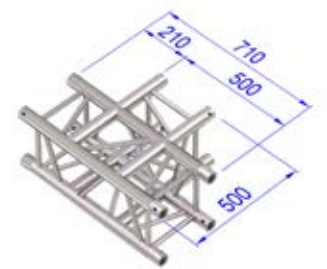
FS34-020 T-JOINT + DOWN



FS34-024 CROSS + DOWN



FS34-025 CROSS + UP + DOWN



FS34-017L T-JOINT
APPLICABLE TO ALL CORNERS